

Nfina 2208R NAS



FEATURES:

- 2U rack-mount dual-socket server
- Choice of 2nd Generation Intel® Xeon® Scalable Processors
 - Platinum, Gold, Silver and Bronze available
 - 2.7GHz to 4.0GHz processor speeds available
 - Up to 28 cores per processor
- Intel® Advanced Vector Extensions (AVX-512)
 - Accelerates deduplication, encryption, compression, & decompression
 - Double the flops per clock cycle of AVX2
- Up to 768GB total memory
- Supports Intel® Optane™ DCPMM Memory
- 8 x 3.5" Hot-swap drive bays
- Up to 128TB storage
- Redundant hot-swap 1000W power supplies
- 2 x 10GbE LAN ports

The Nfina 2208R NAS, a scalable, hybrid storage solution for backup, disaster recovery, or High-Availability clusters applications where budget is an essential consideration.

The Nfina 2208R NAS is perfect for budget applications that require the power of the 2nd Generation Intel® Xeon® Scalable processors. This advanced storage and compute platform is ideal for backup, disaster recovery or creating/adding storage pools in a HA cluster. This NAS can be configured with SAS, SATA, SSD, NVMe, and a M.2 drive for a high-performance, scalable hybrid storage solution.

The 2208R NAS delivers on performance and efficiency, greatly reducing strain on both your users and your budget. If even greater performance is required, Intel Optane Technology can be installed providing lower latency, higher throughput, and endurance.

Nfina products deliver exceptional functionality by creating products that are easily customized to fit specific applications. Designed and built for virtualized computing environments, our products provide high-density, maximum yield solutions for our customers. Multiple options for high performance computing, including I/O, RAID, storage, and memory options make our products a custom fit for many applications.

All Nfina Technologies' servers include 24x7 tech support with remote diagnostics. Next day and four hour onsite response options are available.

NFINA 2208R NAS

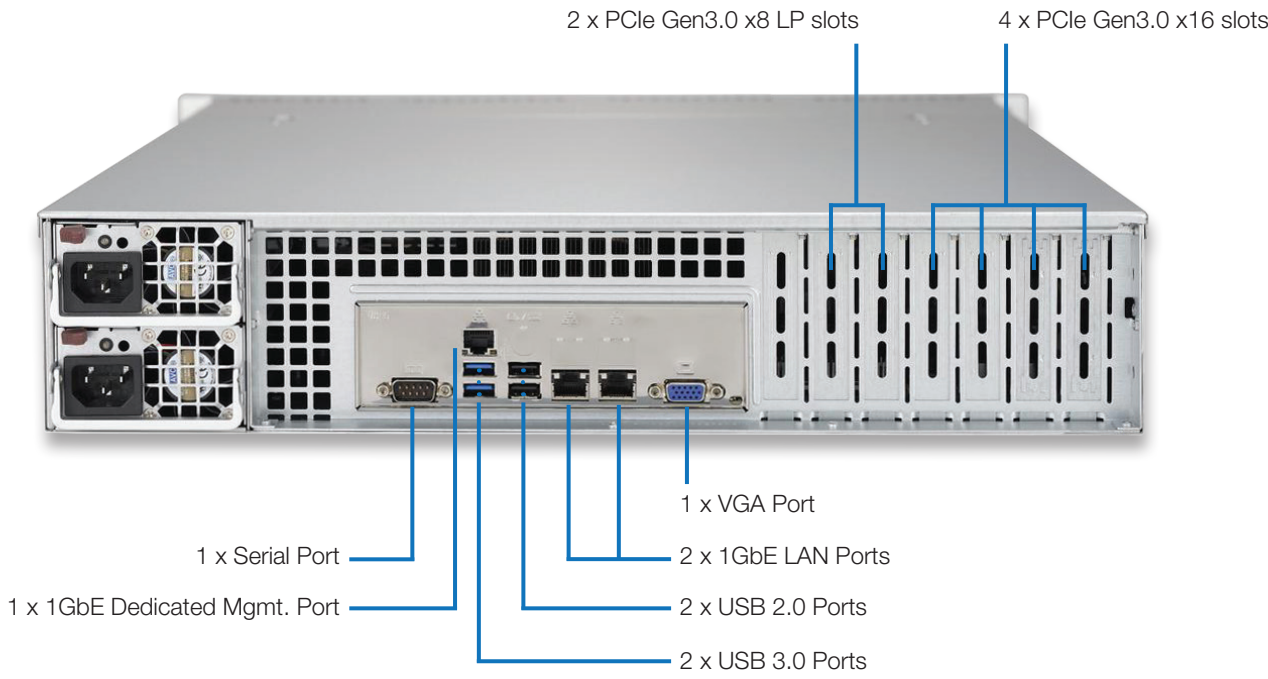
SPECIFICATIONS

Form Factor	2U rack-mount, 3.5" x 17.2" x 25.5"
Operating Temperature	10°C to 35°C (50°F to 95°F)
Processors	2nd Generation Intel® Xeon® Scalable Processors, up to 28 cores each
Processor Speed	Up to 2.7GHz to 4.0GHz
CPU Cache	Up to 39MB
Socket	Dual Socket P (LGA 3647)
Memory	16 DIMM slots, DDR4 ECC RDIMM/LRDIMM 2666/2933 MHz 768GB Max memory capacity Intel® Optane™ DC Persistent Memory supported
Storage	8 x 3.5" or 2.5" hot-swap drive bays (2.5" requires adapter) Supports: SSD and HDD drives 1 x internal M.2 NVMe/SSD (2260/2280/22110), PCIe (optional)
Optical Drive	1 x 5.25" Slim DVD, SATA drive (optional)
Maximum Storage	Up to 128TB, depending on drive type
Software RAID	0, 1, 5, 10 support
Hardware RAID / Caching	Hardware RAID optional, Caching available
Input Voltage	100-127V @ 9-12A, 50/60 Hz 200-240V @ 6-7.2A, 50/60 Hz
Power Supply	Redundant hot-swap 1000W AC power supplies with PMBus
Remote Management	IPMI 2.0, KVM over HTML5
TPM	Version 2.0, optional
Software Certifications	VMware® ESXi 7.0 Certified
OS Supported	Microsoft® Windows Server® 2016, 2019, Windows® 10, VMware® ESXi™ 6.5-7.0, Open-E® JovianDSS™ & DSS7, Red Hat® RHEL 7.3-7.x, SUSE® SLES 11, 12, Ubuntu 16, 17, CentoOS™ 7, XenServer® 7.1-7.6, more options available
Certifications	UL or CSA Listed (USA and Canada), FCC Class A (US), CE (Europe), RoHS (Europe)
Warranty	5 years

NFINA 2208R NAS

SPECIFICATIONS

I/O	4 x USB 3.0 ports (2 front, 2 rear) 2 x USB 2.0 ports (rear) 2 x serial port (1 front, 1 rear)
Display	1 x VGA port (rear)
Ethernet	2 x 10GbE LAN ports (10/1000/10000) standard, other options available 1 x 1GbE (Dedicated management port)
PCIe® Slots	4 x PCIe Gen3 x16 slots (Low-profile) 2 x PCIe Gen3 x8 slots (Low-profile)



© 2021 Nfina Technologies, Inc. All rights reserved. Intel®, XEON®, and Intel® Optane™ are registered trademarks of Intel Corporation. Other trademarks and trade names that may be used in this document are owned by their respective companies.

Nfina believes the information in this document is accurate as of its publication date. The information is subject to change without notice. The contents of this document are provided as-is, without any express or implied warranties of any kind.

Rev. 012021

Address: 820 S. University Blvd. Suite 4E, Mobile, AL 36609

Email: nfina_sales@n-fina.com

Telephone: 251.243.0043

Website: www.n-fina.com