

# Nfina 2208Rs SAN



## FEATURES:

- Twin 2U rack-mount dual-socket server
- Choice of 2nd Generation Intel® Xeon® Scalable Processors
  - Platinum, Gold, Silver and Bronze available
  - 2.7GHz to 4.0GHz processor speeds available
  - Up to 28 cores per processor
- Up to 768GB total memory (per chassis)
- Supports Intel® Optane™ DCPMM Memory
- 16 x 3.5" Hot-swap drive bays
- Up to 256TB storage (128TB usable)
- Redundant hot-swap 1000W power supplies (per chassis)
- 2 x 10GbE LAN ports (per chassis)
- Open-E® JovianDSS, storage pool mgmt. software w/ no single point of failure
- On & Off-site data protection, stores copies locally and remotely
- Create unlimited snapshots
- Instant data recovery

The Nfina 2208Rs SAN is a simple, affordable storage solution equipped with 2nd Generation Intel® Xeon® Scalable Processors.

The Nfina 2208Rs SAN is a simple, affordable and flexible storage solution that is perfect for the remote office, branch office, mid-market, or a small business migrating to a data center environment. It's advanced storage and compute platform delivers enterprise-class performance and allows you to start small and scale-up as your business grows.

In IT environments consisting of hyperconverged systems, virtualized systems, compute intensive application, database processing and storage, high availability storage or hosting and application delivery, the 2208Rs SAN delivers on performance and efficiency.

Nfina products deliver exceptional functionality by creating products that are easily customized to fit specific applications. Designed and built for virtualized computing environments, our products provide high-density, maximum yield solutions for our customers. Multiple options for high performance computing, including I/O, RAID, storage, and memory options make our products a custom fit for many applications.

All Nfina Technologies' servers include 24x7 tech support with remote diagnostics. Next day and four hour onsite response options are available.

# NFINA 2208Rs SAN

## SPECIFICATIONS

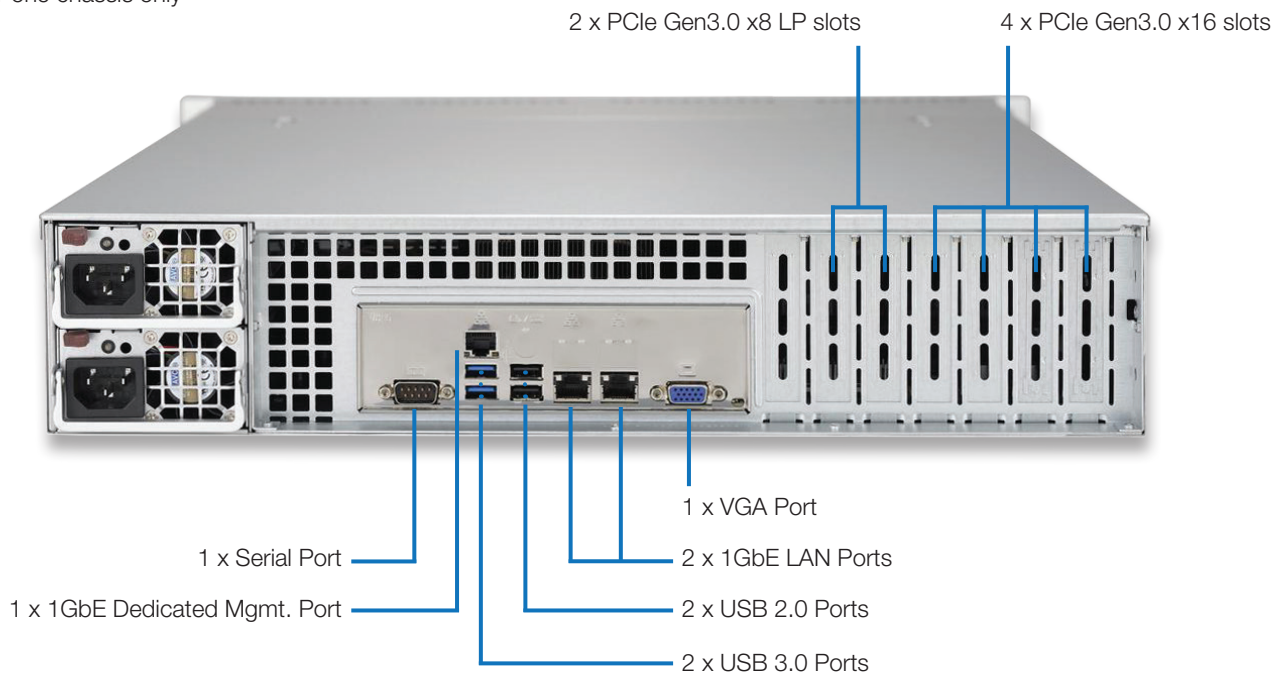
Form Factor	Twin 2U rack-mount, 3.5" x 17.2" x 25.5" (per chassis)
Operating Temperature	10°C to 35°C (50°F to 95°F)
Processors	2nd Generation Intel® Xeon® Scalable Processors, up to 28 cores each
Processor Speed	Up to 2.7GHz to 4.0GHz
CPU Cache	Up to 39MB per processor
Socket	Dual Socket P (LGA 3647)
Memory	16 DIMM slots, DDR4 ECC RDIMM/LRDIMM 2666/2933 MHz (per chassis) 768GB Max memory capacity (per chassis) Intel® Optane™ DC Persistent Memory supported
Storage	8 x 3.5" or 2.5" hot-swap drive bays (2.5" requires adapter) (per chassis) Supports: SSD or HDD drives 1 x internal M.2 NVMe/SSD (2260/2280, 22110, PCIe, (optional – per chassis)
Optical Drive	1 x 5.25" Slim DVD, SATA drive (optional - per chassis)
Maximum Storage	Up to 256TB (128TB usable), depending on drive type
Software RAID	0, 1, 5, 10 support
Hardware RAID	LSI® Hardware RAID optional
Caching	Caching options available
Input Voltage	100-127V @ 9-12A, 50/60 Hz 200-240V @ 6-7.2A, 50/60 Hz
Power Supply	Redundant hot-swap 1000W AC power supplies with PMBus
Remote Management	IPMI 2.0, KVM over HTML5
TPM	Version 2.0, optional
OS Supported	Microsoft® Windows Server® 2016, 2019, Windows® 10, VMware® ESXi™ 6.5-6.7, Open-E® JovianDSS™ & DSS7, Red Hat® RHEL 7.3-7.x, SUSE® SLES 11, 12, Ubuntu 16, 17, CentoOS™ 7, XenServer® 7.1-7.6, more options available
Certifications	UL or CSA Listed (USA and Canada), FCC Class A (US), CE (Europe), RoHS (Europe)
Warranty	5 years

# NFINA 2208Rs SAN

## SPECIFICATIONS

I/O	4 x USB 3.0 ports (2 front, 2 rear) (per chassis) 2 x USB 2.0 ports (rear) (per chassis) 2 x serial port (1 front, 1 rear) (per chassis)
Display	1 x VGA port (rear) (per chassis)
Ethernet	2 x 10GbE LAN ports (10/1000/10000) standard, (per chassis) other options available 1 x 1GbE (Dedicated management port) (per chassis)
PCIe® Slots	4 x PCIe Gen3 x16 slots (Low-profile) (per chassis) 2 x PCIe Gen3 x8 slots (Low-profile) (per chassis)

Port and slot counts displayed below are for one chassis only



© 2021 Nfina Technologies, Inc. All rights reserved. Intel®, XEON®, and Intel® Optane™ are registered trademarks of Intel Corporation. Other trademarks and trade names that may be used in this document are owned by their respective companies.

Nfina believes the information in this document is accurate as of its publication date. The information is subject to change without notice. The contents of this document are provided as-is, without any express or implied warranties of any kind.

Rev. 012021

**Address:** 820 S. University Blvd. Suite 4E, Mobile, AL 36609

**Email:** [nfina\\_sales@n-fina.com](mailto:nfina_sales@n-fina.com)

**Telephone:** 251.243.0043

**Website:** [www.n-fina.com](http://www.n-fina.com)