

Nfina 2216R NAS



FEATURES:

- 2U rack-mount dual-socket server
- Choice of 2nd Generation Intel® Xeon® Scalable Processors
 - Platinum, Gold, Silver and Bronze available
 - 2.7GHz to 4.0GHz processor speeds available
 - Up to 28 cores per processor
- Up to 1TB total memory
- Supports Intel® Optane™ Persistent Memory
- 16 x 2.5" Hot-swap SSD/HDD drive bays
- 1 x M.2 NVMe/SSD drive
- Up to 245.76TB storage
- 2 x 10GbE LAN ports
- 1 x Dedicated Mgmt. port
- Up to 11 PCIe slots
- Redundant hot-swap 1000W power supplies

Equipped with Intel® Xeon® Scalable Processors, this high capacity NAS is ideal as a flash array in advance compute or VM applications.

The Nfina 2216R NAS is ideal for budget applications that require the optimized performance of the 2nd Generation Intel® Xeon® Scalable processors and agility of a flash array. This advanced storage and compute platform delivers exceptional quality and a lower cost of ownership, greatly reducing strain on your users and your finances.

For IT environments consisting of hyperconverged systems, virtualized environments, compute intensive applications, networking telephony, or surveillance, the 2216R NAS delivers on scalability, speed, and efficiency.

Nfina products deliver exceptional functionality by creating products that are easily customized to fit specific applications. Designed and built for virtualized computing environments, our products provide high-density, maximum yield solutions for our customers. Multiple options for high performance computing, including I/O, RAID, storage, and memory options make our products a custom fit for many applications.

All Nfina Technologies' servers include a standard five-year warranty and 24x7 tech support with remote diagnostics. Next day and four hour onsite response options are available.

SERVERS

DATA STORAGE

PCs & WORKSTATIONS

n-fina
EDGE SOLUTIONS

NFINA 2216R NAS

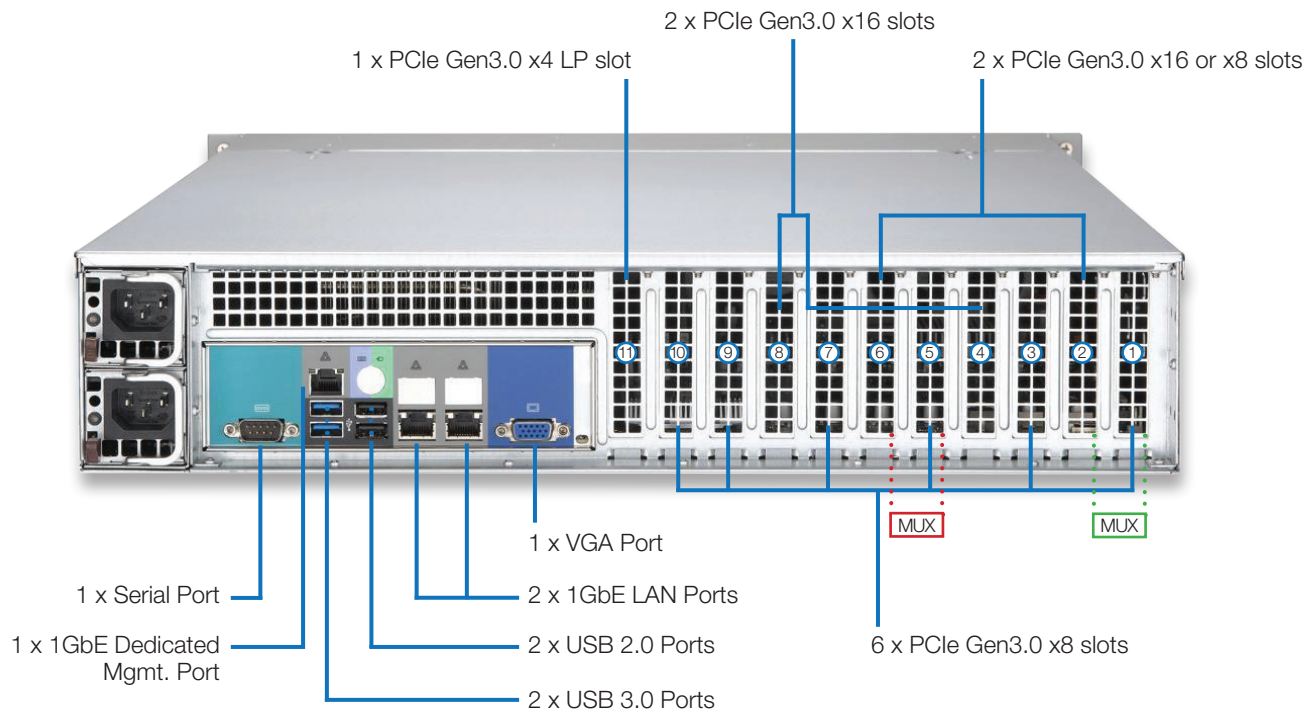
SPECIFICATIONS

Form Factor	2U rack-mount, 3.5" x 17.2" x 25.6"
Operating Temperature	10°C to 35°C (50°F to 95°F)
Processors	2nd Generation Intel® Xeon® Scalable Processors, up to 28 cores each
Processor Speed	Up to 2.7GHz to 4.0GHz
CPU Cache	Up to 39MB
Socket	Dual Socket P (LGA 3647)
Memory	16 DIMM slots, DDR4 ECC RDIMM/LRDIMM 2933 MHz 1TB Max memory capacity Intel® Optane™ DC Persistent Memory supported
Storage	16 x 2.5" hot-swap drive bays Supports: SSD and HDD drives 1 x internal M.2 NVMe/SSD (2280), PCIe (optional)
Optical Drive	1 x 5.25" Slim DVD, SATA drive (optional)
Maximum Storage	Up to 245.76TB, depending on drive type
Hardware RAID	Hardware RAID optional
Caching	Caching options available
Input Voltage	100-127V @ 7.5-9A, 50/60 Hz 200-240V @ 5-6A, 50/60 Hz
Power Supply	2 x hot-swap 1000W AC power supplies
Remote Management	IPMI 2.0, KVM over HTML5
TPM	Version 2.0, optional
OS Supported	Microsoft® Windows Server® 2016, 2019, Windows® 10, Hyper-V Server 2016, VMware® ESXi™ 6.5u1-7.0, Open-E® JovianDSS™ & DSS7, Red Hat® RHEL 7.4-7.x, SUSE® SLES 12SP3, Ubuntu 17.10, Free BSD 10.3-11.1, Fedora 26, XenServer 7.2, more options available
Certifications	UL or CSA Listed (USA and Canada), FCC Part 15 Subpart B (US), CE (Europe), EMC EN 55032:2012/AC:2013 (Class A), AS/NZS CISPR 32:2013 (Class A) (Australia), VCC 32-1/2016.11
Warranty	5 years

NFINA 2216R NAS

SPECIFICATIONS

I/O	2 x USB 3.0 ports (rear) 2 x USB 2.0 ports (rear) 1 x serial port (rear)
Display	1 x VGA port (rear)
Ethernet	2 x 10GbE LAN ports (10/1000/10000) standard, other options available 1 x 1GbE (Dedicated management port)
PCIe® Slots	2 x PCIe Gen3 x16 (Low-Profile) 2 x PCIe Gen3 x16 ((Low-Profile) (or 4 x PCIe Gen3 x8 by MUX) 4 x PCIe Gen3 x8 (Low-Profile) 1 x PCIe Gen3 x4 (Low-Profile) (in x8 slot)



© 2021 Nfina Technologies, Inc. All rights reserved. Intel®, XEON®, and Intel® Optane™ are registered trademarks of Intel Corporation. Other trademarks and trade names that may be used in this document are owned by their respective companies.

Nfina believes the information in this document is accurate as of its publication date. The information is subject to change without notice. The contents of this document are provided as-is, without any express or implied warranties of any kind.

Rev. 012021

Address: 820 S. University Blvd. Suite 4E, Mobile, AL 36609

Email: nfina_sales@n-fina.com

Telephone: 251.243.0043

Website: www.n-fina.com