

# Nfina Hyper-Edge™ 2216R



## FEATURES:

- Twin 2U rack-mount dual-socket servers
- Intel® Xeon® Scalable Processors
- 2.7GHz to 4.0GHz processor speed
- Up to 1TB total memory (per chassis)
- 32 x 2.5" hot-swap drive bays (16 per chassis)
- Add up to 6 x JBODs for additional storage
- 4-way mirror storage
- 1 x Dedicated IPMI v 2.0 LAN port (per chassis)
- Choose OS; Microsoft® Windows Server® or VMware ESXi®
- Up to 56 VMs
- Open-E® JovianDSS, storage pool mgmt. software w/ no single point of failure
- Nfina EdgeStore™ 4TB or 8TB License
- Offsite data backup and cloud restoration available
- 5-year warranty with 24x7 Tech Support (other options avail.)

The 2216R Hyper-Edge solution stores copies of data locally and remotely for instant access and recovery, eliminating crucial lag time.

The Hyper-Edge™ 2216R is an excellent hybrid-cloud solution that provides enhanced performance, reduced latency and peace of mind of redundant backup and DR. On-site compute and backup delivers maximum uptime, eliminating unacceptable internet outages.

Hyper-Edge™ 2216R reduces network strain by making it possible to send only the most valuable and relevant data to the edge servers thus making data processing timelier. Nfina's Hyper-Edge products put information processing (Data Entry, Storage, Compute, Point of Sale, or SMB data) closer to your edge applications. With Nfina powering your edge, you can improve security and compliance, achieve faster response times, create redundancy, reduce latency, lower cost, and complement your existing cloud computing infrastructure.

To ensure data security and retention, four software, backup and disaster recovery options are offered with our Hyper-Edge products: **Nfina EdgeStore**, software included with smaller capacity storage, provides integration for local and offsite data backup and disaster recovery. Unlike many of our competitors, you can choose to store your offsite storage where you like; the cloud, colo, or with Nfina Cloud. **Open-E JovianDSS**, software included with larger capacity storage, helps create and manage HA clusters on your Hyper-Edge device and provides no single point of failure. Features include tiered RAM, unlimited snapshots with instant restore, compression and deduplication, and on and offsite data protection. **Nfina Cloud**, a cloud-based subscription service, allows you to safely back up your Edge and Hyperconverged products. Your data is encrypted before it crosses the wire and remains encrypted during transmission and while stored. Only your organization holds the encryption key. **Nfina Restore** allows you to quickly recover data in the event of a Server or Storage system catastrophic failure. Easily restore individual files, folders, VMs, or even an entire SAN from your cloud storage.

SERVERS

DATA STORAGE

PCs & WORKSTATIONS

**n-fina**  
EDGE SOLUTIONS

# NFINA Hyper-Edge™ 2216R

## SPECIFICATIONS

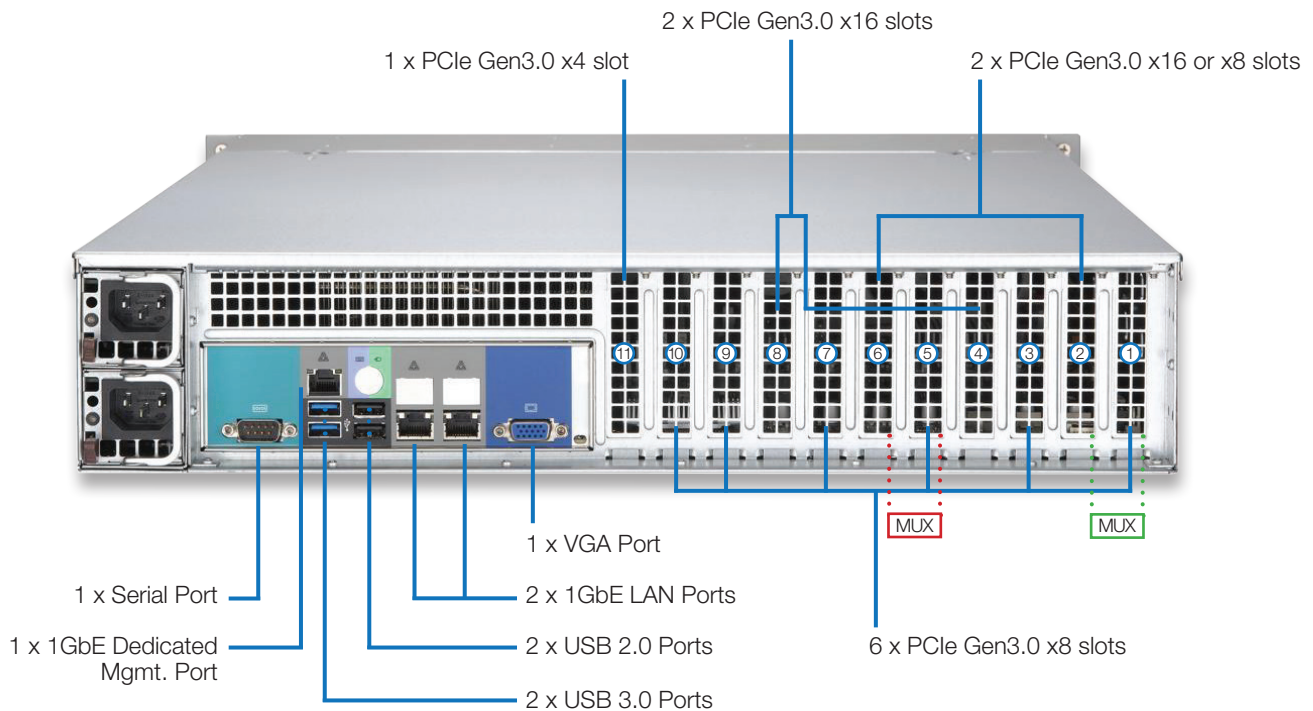
Form Factor	Twin 2U rack-mount, 3.5" x 17.2" x 25.6" (per chassis)
Operating Temperature	10°C to 35°C (50°F to 95°F)
Processors	2nd Gen. Intel® Xeon® Scalable processors, up to 28 cores, 56 threads (2 per chassis)
Processor Speed	Up to 2.7GHz to 4.0GHz
CPU Cache	39MB Intel® Smart Cache (per processor)
Socket	Dual Socket P (LGA 3647)
Memory	16 DIMM slots, ECC DDR4 2933 MHz (per chassis) 1TB max memory capacity (per chassis)
Drives	16 x 2.5" hot-swap drives (per chassis) Supports: SSD/HDD drives Up to 2 x boot drives: 1 x M.2 NVMe/SSD (2280), PCIe (per chassis) — <b>or</b> — 2 x 2.5" SSDs (per chassis) (cannot mix drive type) Add up to Six 12 or 24 bay JBODs for additional storage
Storage Controller	Choose one: 1 x 9300-8i + 1 x 9300-8e 12Gb/s SAS Host Bus Adapter (per chassis) 1 x 9400-8i8e 12Gb/s SAS Host Bus Adapter (per chassis) 1 x 9305-24i 12Gb/s SAS Host Bus Adapter (per chassis) — <b>or</b> — 1 x 9380-8i8e 12Gb/s RAID w/ 2GB CacheVault (per chassis)
RAID	4-way mirroring
Remote Management	IPMI 2.0, KVM over HTML5
TPM	Version 2.0, optional
OS/Virtual Platform	Microsoft® Windows Server®, Up to 56 VMs VMware ESXi®, Up to 56 VMs
Software Options	Microsoft® Windows Server® 2019, Microsoft® SQL Server, Microsoft® Exchange Server VMware vSphere®, VMware vCenter® Nfina EdgeStore™ 4TB, Nfina EdgeStore™ 8TB — <b>or</b> — Open-E® JovianDSS (depending on desired usable capacity)
Backup and Disaster Recovery	Nfina Cloud - Secure cloud based data backup (monthly subscription required)
Input Voltage	100-127V @ 7.5-9A, 50/60 Hz, 200-240V @ 5-6A, 50/60 Hz
Power Supplies	Dual redundant hot-swap 1000W AC power supplies (2 per chassis)
Regulatory Certifications	UL or CSA Listed (USA and Canada), FCC Part 15 Subpart B (US), CE (Europe), EMC EN 55032:2012/AC:2013 (Class A), AS/NZS CISPR 32:2013 (Class A) (Australia), VCC 32-1/2016.11
Warranty	5 years (other options available)

# NFINA Hyper-Edge™ 2216R

## SPECIFICATIONS

I/O	2 x USB 3.0 ports (rear) (per chassis) 2 x USB 2.0 ports (rear) (per chassis) 1 x serial port (rear) (per chassis)
Display	1 x VGA port (rear) (per chassis)
Ethernet	2 x 10GbE LAN ports (10/1000/10000) standard (per chassis), other options available 1 x 1GbE (Dedicated management port) (per chassis)
PCIe® Slots	2 x PCIe Gen3 x16 (Low-Profile) (per chassis) 2 x PCIe Gen3 x16 (Low-Profile) (or 4 x PCIe Gen3 x8 by MUX) (per chassis) 4 x PCIe Gen3 x8 (Low-Profile) (per chassis) 1 x PCIe Gen3 x4 in x8 slot (Low-Profile) (per chassis)

Port and slot counts displayed below are for one chassis only



© 2021 Nfina Technologies, Inc. All rights reserved. Hyper-Edge™ and EdgeStore™ are trademarks of Nfina Technologies, Inc., Intel® and XEON® are registered trademarks of Intel Corporation. Other trademarks and trade names that may be used in this document are owned by their respective companies.

Nfina believes the information in this document is accurate as of its publication date. The information is subject to change without notice. The contents of this document are provided as-is, without any express or implied warranties of any kind.

Rev. 012021

**Address:** 820 S. University Blvd. Suite 4E, Mobile, AL 36609

**Email:** [nfina\\_sales@n-fina.com](mailto:nfina_sales@n-fina.com)

**Telephone:** 251.243.0043

**Website:** [www.n-fina.com](http://www.n-fina.com)